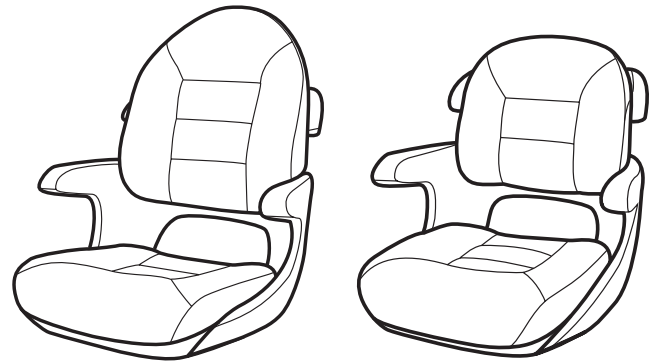


ELITE SERIES HIGH-BACK and LOW-BACK HELM SEATS



Elite High-Back


Elite Low-Back

INSTALLATION INSTRUCTIONS

The Elite Series helm seats feature rugged rotationally molded construction and built-in lumbar support from contoured molded foam cushions covered in UV resistant 30 oz. marine grade vinyl upholstery.

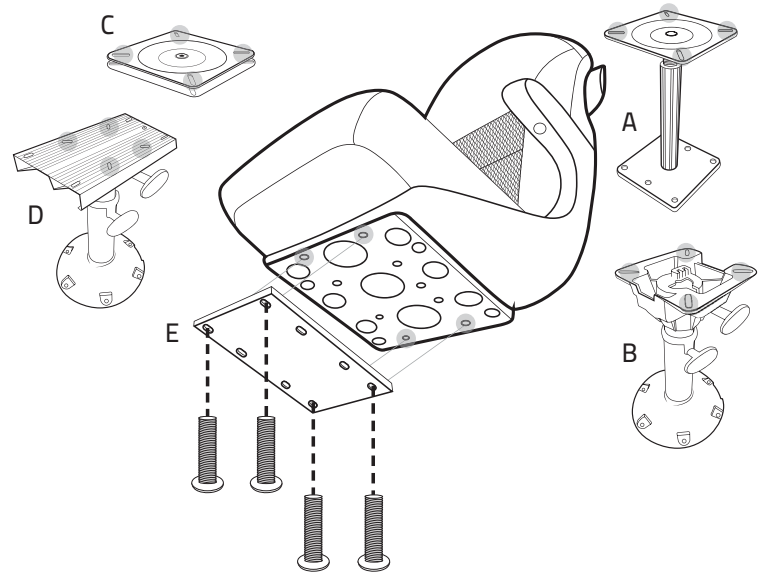
REQUIRED FOR INSTALLATION

- Cordless Drill or Phillips Head Screwdriver
- Eight (8) ¼"-20 x 1½" stainless steel fasteners and lock washers (not included).



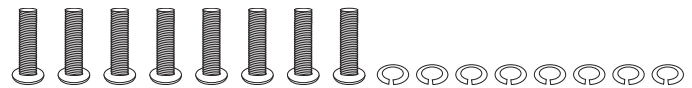
WARNING: Read installation instructions carefully before installing seats. Improper mounting may result in serious injury.

FIGURE 1.



REINFORCING PLATE COPY (FIGURE 1):

The Elite Series seating requires the installation of a reinforcing plate (E) mounted directly to the underside of the seat as shown. Install with four (4) bolts in the top and bottom locations on the seat and mounting plate. Your choice of seat mounting system (A, B, C or D) can be mounted to the four remaining locations as shown. Ensure that all mounting bolts and lock washers are properly aligned and completely inserted prior to use. The item 57005 mounting plate is available through your Tempress dealer or order from our website www.tempress.com/57005.



Eight (8) ¼"-20 x 1½" stainless steel fasteners and lock washers required (lock washers not included).

CONTINUED—SEE OTHER SIDE

MOUNTING SEAT TO BASE (FIGURE 2)

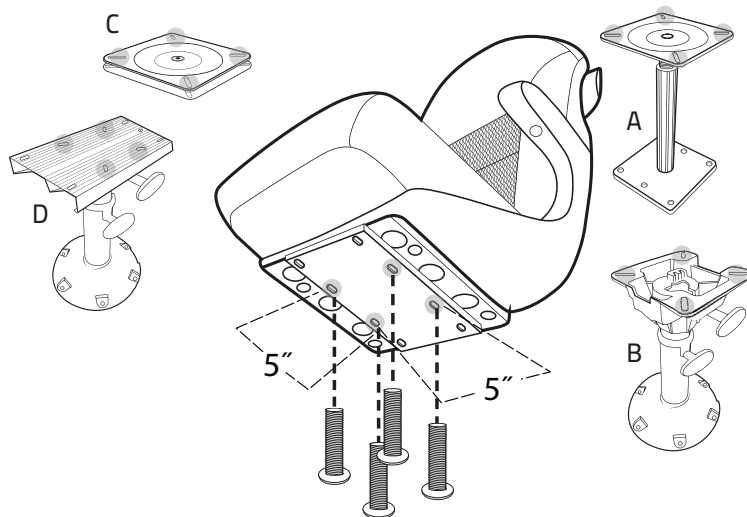
All Tempress™ seats can be mounted to any 5" x 5" seat mounting system. Seats can be mounted to (A) fixed base, (B) pedestal base, (C) swivel base or (D) slider mount.

NOTE:

- Make sure mounting plate (item 57005) is secured before mounting the Elite seat to a base.
- Stainless steel fasteners and lock washers required (not included).

Visit our website www.tempress.com for installation and maintenance videos of our complete line of seating options.

FIGURE 2.



TEMPRESS LIMITED WARRANTY

Tempress Products warrants that the products described in this warranty are free from defects in workmanship and materials for a period of (i) one (1) year with respect to vinyl covered and/or upholstered products and (ii) one (1) year with respect to plastic products and plastic components of products, such time periods beginning on the original date of purchase. This warranty will not apply to any product or component of a product damaged as a result of an accident, improper installation, unreasonable use, lack of proper maintenance, unauthorized repair, modification, or any cause other than a defect in materials and/or workmanship. This warranty does not cover upholstery produced by a manufacturer other than Tempress that may use Tempress components. FOR BREACH OF ANY WRITTEN OR IMPLIED WARRANTY ON THIS PRODUCT, THE CONSUMER IS LIMITED TO CONSUMER'S ACTUAL DAMAGES, AND SPECIAL, INCIDENTAL AND CONSEQUENTIAL DAMAGES ARE SPECIFICALLY EXCLUDED, EXCEPT IN STATES WHERE SUCH LIMITATIONS ARE UNLAWFUL. This warranty extends exclusively to the original purchaser of the warranted product, and subsequent purchasers and/or transferees are not covered by this warranty agreement, unless Tempress otherwise agrees in its sole discretion. To obtain authorization to return product, as well as any warranty information, call Tempress at 877-234-7466. The remedy will consist of repair or replacement of the product, as determined appropriate by Tempress in its sole discretion. This warranty gives you specific legal rights, that may vary from state to state.



WARNING: This product can expose you to DEHP which is known by the State of California to cause cancer and birth defects or other reproductive harm. www.P65Warnings.ca.gov

Tempress Products, LP / 5052 Sharp St. / Dallas, TX 75247 / 1-877-234-7466



WWW.TEMPRESS.COM